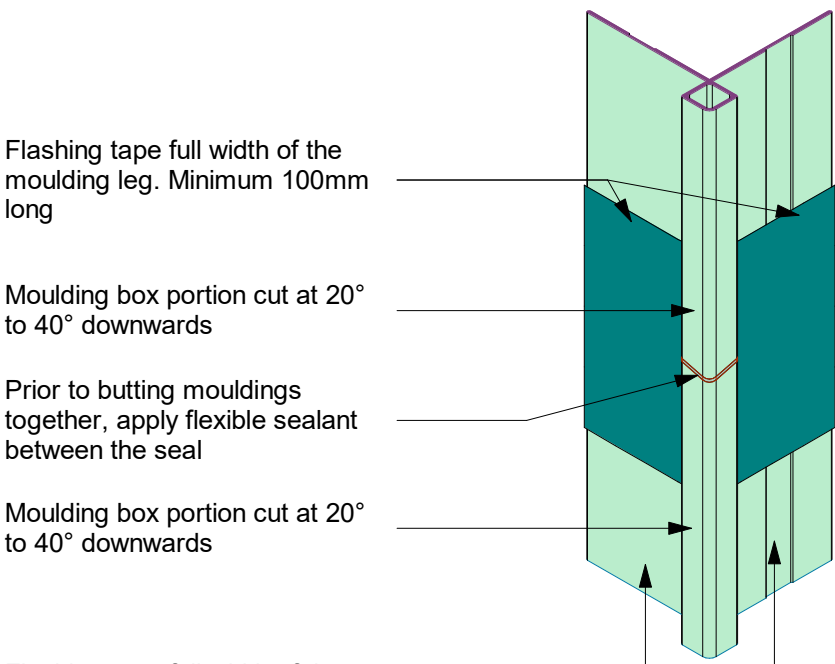


Moulding box portion cut at 20° to 40° downwards

Prior to butting mouldings together, apply flexible sealant between the seal



Flashing tape full width of the moulding leg. Minimum 100mm long

Moulding box portion cut at 20° to 40° downwards

Prior to butting mouldings together, apply flexible sealant between the seal

Moulding box portion cut at 20° to 40° downwards

Flashing tape full width of the moulding leg. Minimum 100mm long