

Fascia board, continue through cladding line to butt up to flashing over timber cavity batten

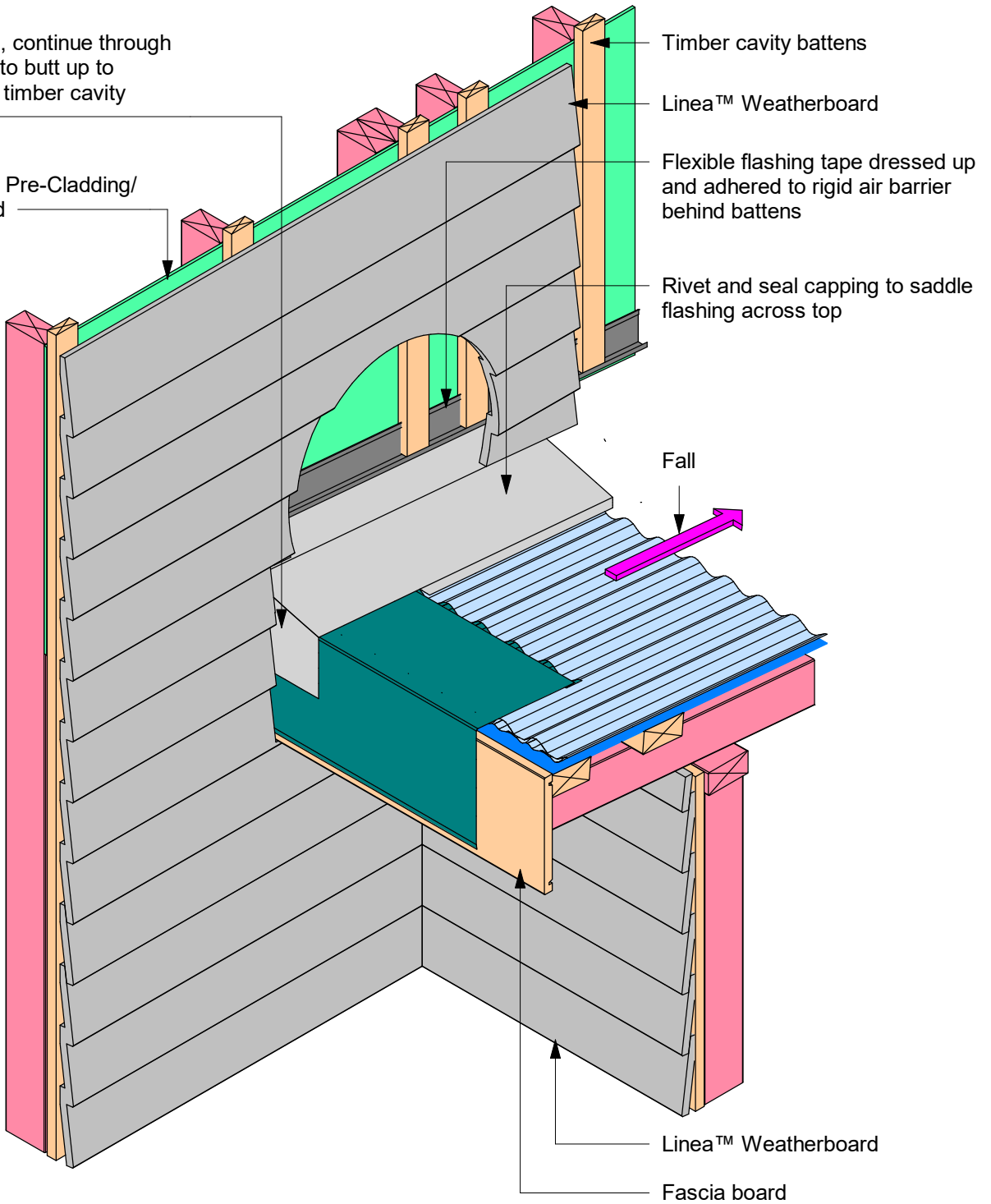
HomeRAB™ Pre-Cladding/  
RAB™ Board

Timber cavity battens

Linea™ Weatherboard

Flexible flashing tape dressed up and adhered to rigid air barrier behind battens

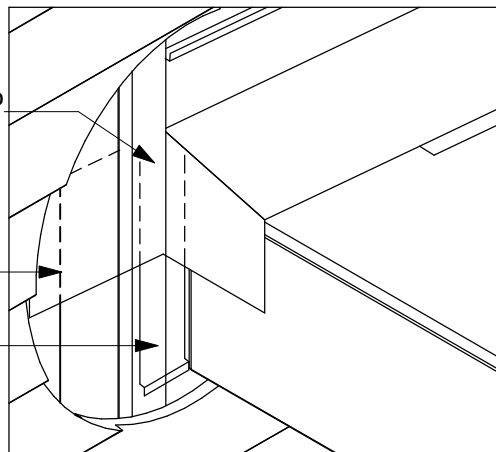
Rivet and seal capping to saddle flashing across top



50mm wide flashing welded to apron flashing

Back flashing

50 x 50mm corner flashing



jhl\_inea\_r\_037

jhl\_inea.rvt