

Fascia board, continue through cladding line to butt up to flashing over timber cavity batten

Flexible underlay

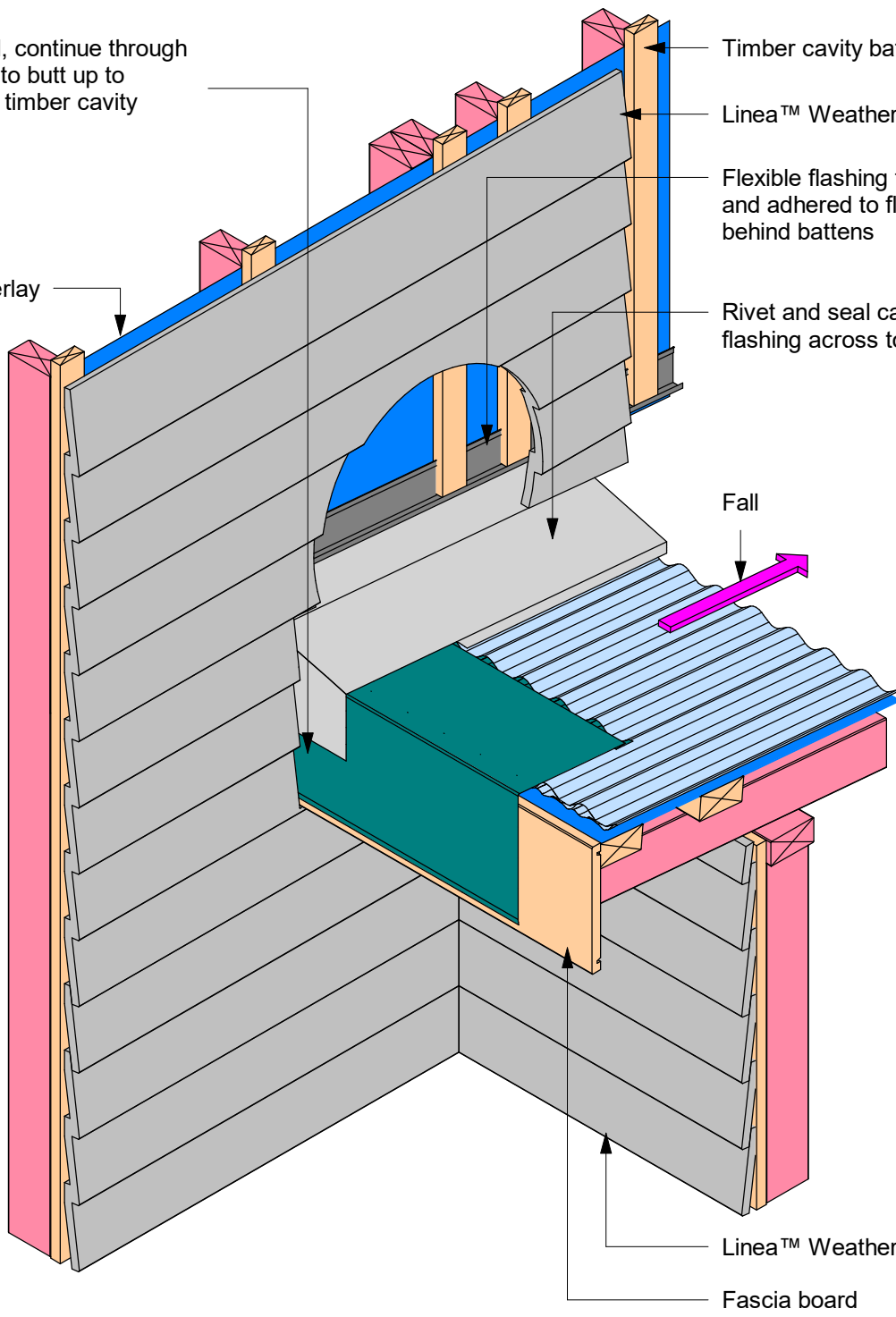
Timber cavity battens

Linea™ Weatherboard

Flexible flashing tape dressed up and adhered to flexible underlay behind battens

Rivet and seal capping to saddle flashing across top

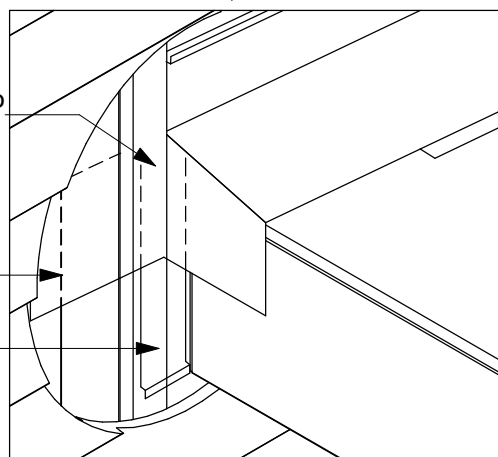
Fall



50mm wide flashing welded to apron flashing

Back flashing

50 x 50mm corner flashing



jhl\_inea\_u\_035

jhl\_inea.rvt