

65 x 2.87mm D Head or 65 x 2.87mm RounDrive ring shank nails or 75 x 3.15mm Hardie™ Flex nail

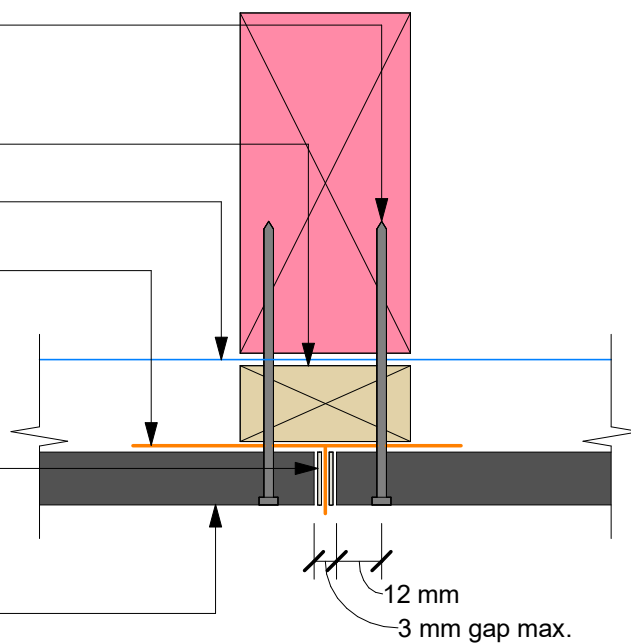
Timber cavity batten

Flexible underlay

Hardie™ 14mm trimline joint flashing

Apply 4mm continuous bead of flexible sealant to end of Oblique™ Weatherboard prior to butting to trimline joint

Oblique™ Weatherboard with selected coating



Note: Site cut edges to be primed