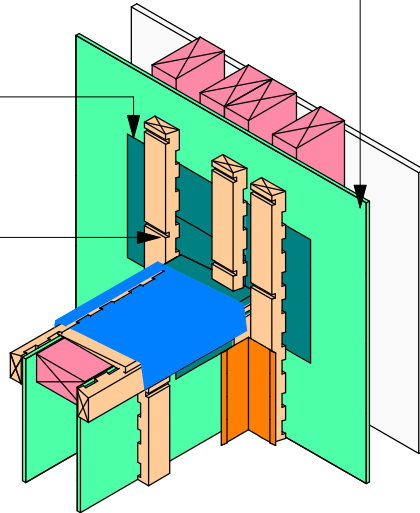


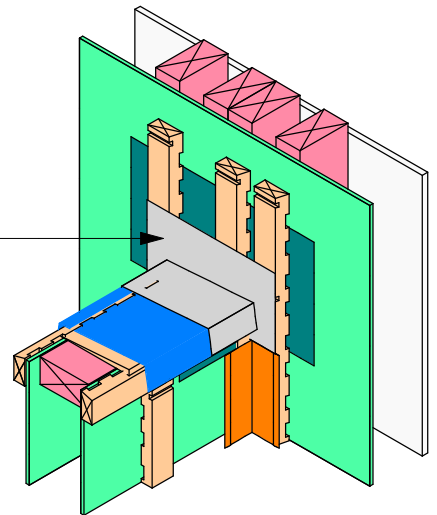
HomeRAB™ Pre-Cladding /RAB™ Board

Flexible flashing tape dressed up and adhered to HomeRAB™ Pre-Cladding/ RAB™ Board behind battens

Hardie™ horizontal cavity batten



Saddle Flashing



Studs

Metal saddle flashing under parapet capping refer E2/AS1 Figure 12 for min dimensions

Parapet flashing with underlay

Oblique™ Weatherboard

