

Apply continuous 6mm bead of Bostik Seal n Flex -1 or Sika Sikaflex 11FC adhesive sealant

65 x 2.8mm RounDrive ring shank nails for batten fixing

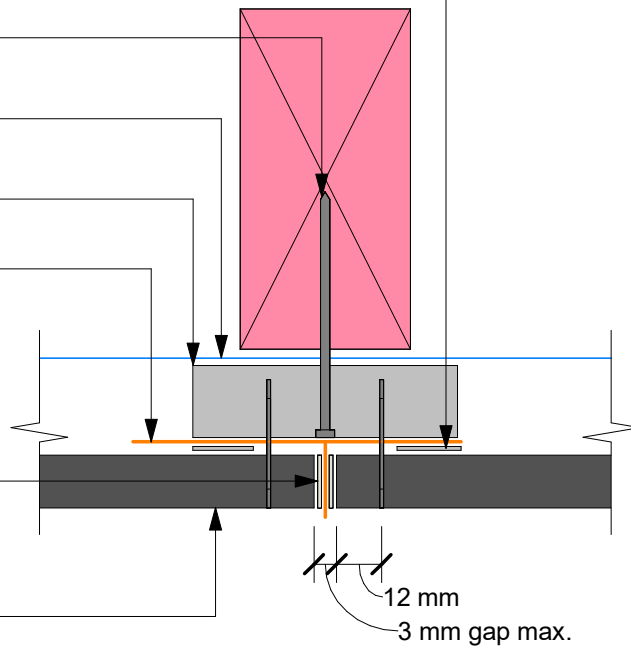
Flexible underlay

70 x 19mm CLD™ Structural Cavity Batten

Hardie™ 14mm trimline joint flashing

4mm continuous bead of flexible sealant to end of Stria™ Cladding prior to butting to Hardie™ 14mm trimline joint

Stria™ Cladding



Note: Site cut edges to be primed