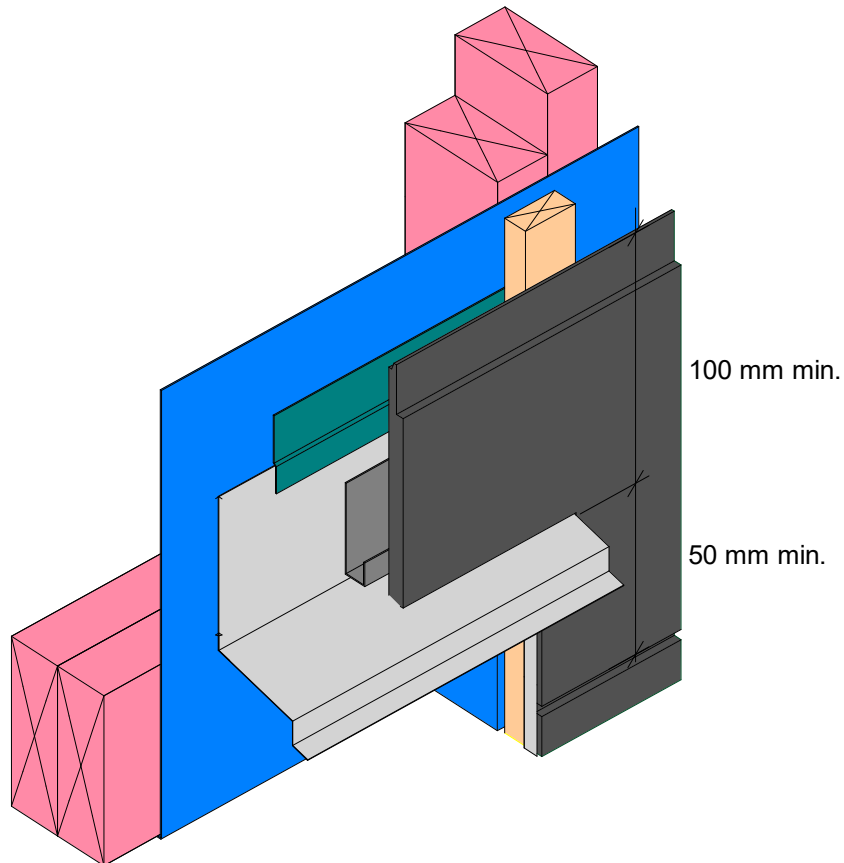


Note:

- Site cut edges to be primed
- Sealant must be installed between head flashing and window flange in VH and above wind zones. Refer to Figure 71 of E2/AS1



jhl_sttm_u_019

jhl_sttm.rvt